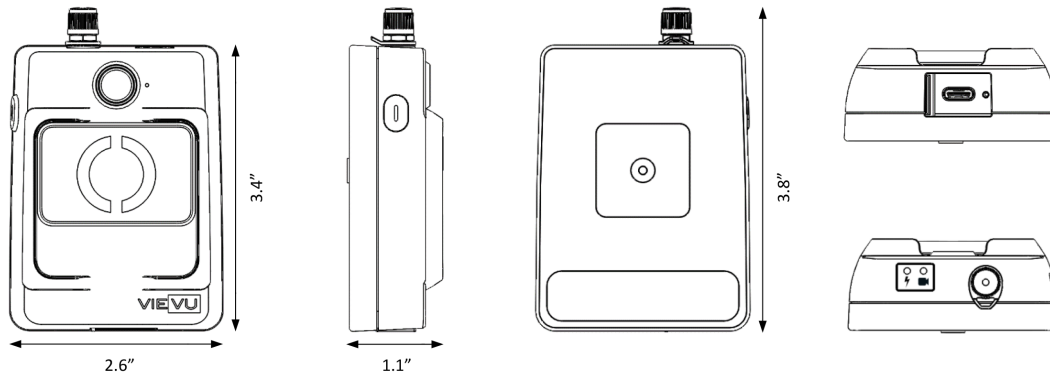


DETAILED SPECIFICATIONS

LE5 BODY-WORN CAMERA



VIDEO

Video Resolution	1920x1080 (FHD), 1280x720 (HD), Or 848x480 (WVGA)
Recording Speed	30 Frames Per Second
Recording Format	MPEG-4, H.264 Codec, AVI Container
Field Of View	Selectable 70, 95, 120 Degrees
Date And Time Stamp	Embedded On Video
Identification On Video	Camera Serial Number Embedded On Video
Pre-Record	Yes, Selectable Up To 3 Minutes
Post-Record	Yes, Selectable Up To 1 Minute

AUDIO

Mute	Yes, Selectable Disable/Enable Audio Recording
------	--

ENVIRONMENTAL CONDITIONS

Operating Environment	-4° F (-20° C) to +122° F (+50° C)
Recommended Storage	+68° F (+20° C), <75% Relative Humidity
Dust/Water Protection	IP66, Weatherproof, Non-Submersible with Antenna or Antenna Cap fitted
Drop Testing	10' onto Hard Surface

DESIGN

Dimensions (without Clip)	2.6" x 3.4" x 1.1" (65mm x 87mm x 29mm)
Weight (without Clip)	4.9 oz
USB Type	USB C (Reversible)
Lanyard Loop	Yes

LIGHTS AND FEEDBACK

Vibration	Yes
Covert Mode	Yes

WIRELESS COMMUNICATION

Wifi	Yes, 802.11 G, WPA2
Low Power Radio	IEEE 802.15.1 ver. 4.0
Antenna	External (Optional)

BATTERY

Type	Lithium-Ion (Non-Removable)
Recording Life	12+ Hours*
Charge Cycles	500 Cycles > 75% Capacity*
Recharge Time From Empty	4 Hours*
External Battery Pack Compatible	Yes

STORAGE

Raw Storage Capacity	64GB (Non-Removable)
Video Storage Capacity	Up to 10 hrs at FHD, 25 hrs at HD, 50 hrs at SD

CERTIFICATIONS

FCC Class B	Yes
CE 2004/108	Yes
RoHS	Yes
WEEE	Yes

*Environmental Conditions and Age May Increase or Decrease Specification



A BRAND OF THE SAFARILAND GROUP

370-645 Elliott Ave W
Seattle, WA 98119
www.viewu.com

Phone: 1-888-285-4548
Fax: 206-299-3380